



**Long Pattern
Wafer Check Valves
2" Thru 12"**

WHEATLEY[®]

Long Pattern Wafer Check

Wheatley wafer check valves are ideal for close-quarter applications where a full-bodied check won't fit. Designed to fit between mating flanges, these valves are compact, lightweight and cost-efficient.

Product Features:

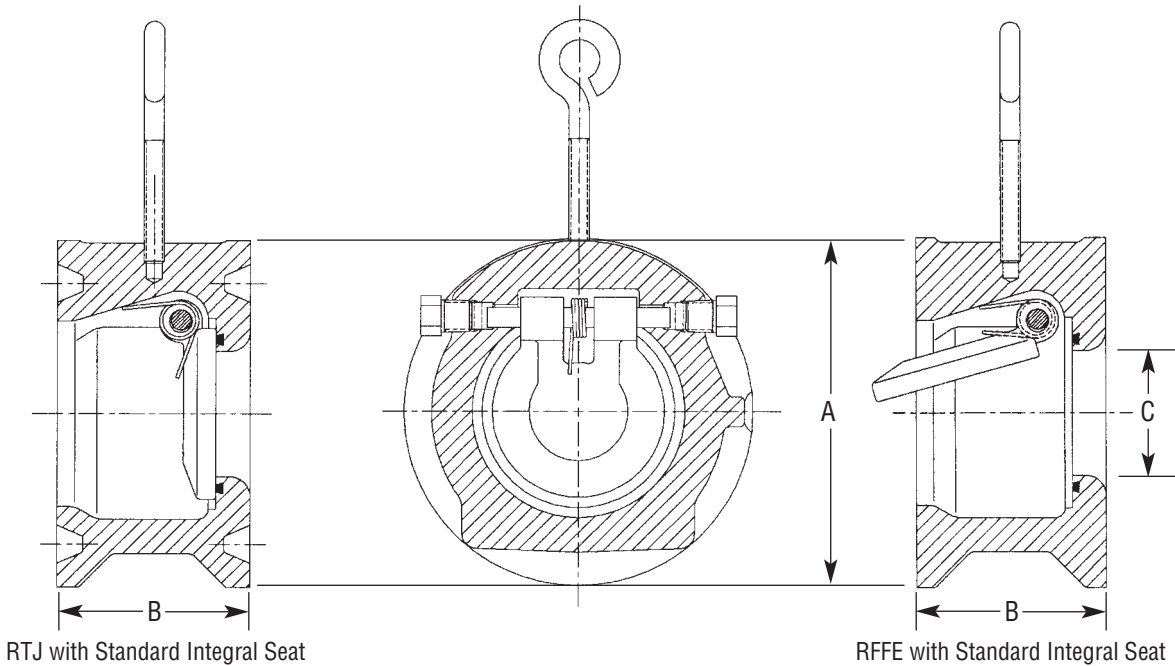
- Sizes 2" through 12"
- Working pressures ANSI 150 through ANSI 1500
- Built in accordance with API 6D
- All materials comply with NACE MRO175
- Fixed clapper shaft design transfers wear to inexpensive replaceable parts
- Integral seat
- RTJ or raised face flange surfaces available
- ASTM A216 Grade WCC body. Optional ASTM A351 Grade CF8M (316 stainless steel). *Consult factory for other options.*
- 90 durometer peroxide cured Buna N seals standard. Optional Viton*; Teflon*; AFLAS* (high temperature); EPDM. *Consult factory for other options.*

Materials of Construction

Item	Standard
BODY	• ASTM A216 Grade WCC
CLAPPER	• Solid CF8M
BODY SEAT	• Integral same as body material
SEALS	• 90 durometer peroxide cured Buna N

* Viton, Teflon and AFLAS are trademarks of their respective owners.

Check Valves



Dimensions

	Dim.	Size						
		2"	3"	4"	6"	8"	10"	12"
ANSI 150	A	4.125	5.375	6.875	8.750	11.000	13.375	16.125
	B	2.375	2.875	2.875	3.875	5.000	5.750	7.125
	C	1.562	2.093	3.062	4.812	6.500	7.750	9.625
ANSI 300	A	4.375	5.875	7.125	9.875	12.125	14.250	16.625
	B	2.375	2.875	2.875	3.875	5.000	5.750	7.125
	C	1.562	2.093	3.062	4.812	6.500	7.750	9.625
ANSI 600	A	4.375	5.875	7.625	10.500	12.625	15.750	18.000
	B	2.375	2.875	3.125	5.375	6.500	8.375	9.000
	C	1.562	2.093	3.062	4.812	6.500	7.750	9.625
ANSI 900	A	5.625	6.625	8.125	11.375			
	B	2.750	3.250	4.000	6.250			
	C	1.562	2.093	3.062	4.812			
ANSI 1500	A	5.625	6.875	8.250	11.125			
	B	2.750	3.250	4.000	6.250			
	C	1.562	2.093	3.062	4.812			

For estimating purposes only. For exact dimensions, consult factory.

Ordering Information Carbon Steel

Valve Size	ANSI Class	Working Pressure	Weight (lbs.)	Order Number Raised Face	Order Number RTJ
2"	150	290	5	670-025029-121	(Not Available)
	300	750	6	670-025075-121	670-024075-121
	600	1500	6	670-025150-121	670-024150-121
	900	2250	11	670-025225-121	670-024225-121
	1500	3750	11	670-025375-121	670-024375-121
3"	150	290	10	670-035029-121	(Not Available)
	300	750	13	670-035075-121	670-034075-121
	600	1500	13	670-035150-121	670-034150-121
	900	2250	19	670-035225-121	670-034225-121
	1500	3750	21	670-035375-121	670-034375-121
4"	150	290	15	670-045029-121	(Not Available)
	300	750	18	670-045075-121	670-044075-121
	600	1500	22	670-045150-121	670-044150-121
	900	2250	32	670-045225-121	670-044225-121
	1500	3750	33	670-045375-121	670-044375-121
6"	150	290	27	670-065029-121	(Not Available)
	300	750	36	670-065075-121	670-064075-121
	600	1500	50	670-065150-121	670-064150-121
	900	2250	78	670-065225-121	670-064225-121
	1500	3750	77	670-065375-121	670-064375-121
8"	150	290	74	670-085029-121	(Not Available)
	300	750	78	670-085075-121	670-084075-121
	600	1500	130	670-085150-121	670-084150-121
	900	2250		670-085225-121	670-084225-121
	1500	3750		670-085375-121	670-084375-121
10"	150	290	102	670-105029-121	(Not Available)
	300	750	110	670-105075-121	670-104075-121
	600	1500	185	670-105150-121	670-104150-121
	900	2250		670-105225-121	670-104225-121
12"	150	290	151	670-125029-121	(Not Available)
	300	750	154	670-125075-121	670-124075-121
	600	1500	240	670-125150-121	670-124150-121
	900	2250		670-125225-121	670-124225-121

Ordering Information 316 Stainless Steel

Valve Size	ANSI Class	Working Pressure	Weight (lbs.)	Order Number Raised Face	Order Number RTJ
2"	150	275	5	670-025027-321	(Not Available)
	300	720	6	670-025072-321	670-024072-321
	600	1440	6	670-025144-321	670-024144-321
	900	2160	11	670-025216-321	670-024216-321
	1500	3600	11	670-025360-321	670-024360-321
3"	150	275	10	670-035027-321	(Not Available)
	300	720	13	670-035072-321	670-034072-321
	600	1440	13	670-035144-321	670-034144-321
	900	2160	19	670-035216-321	670-034216-321
	1500	3600	21	670-035360-321	670-034360-321
4"	150	275	15	670-045027-321	(Not Available)
	300	720	18	670-045072-321	670-044072-321
	600	1440	22	670-045144-321	670-044144-321
	900	2160	32	670-045216-321	670-044216-321
	1500	3600	33	670-045360-321	670-044360-321
6"	150	275	27	670-065027-321	(Not Available)
	300	720	36	670-065072-321	670-064072-321
	600	1440	50	670-065144-321	670-064144-321
	900	2160	78	670-065216-321	670-064216-321
	1500	3600	77	670-065360-321	670-064360-321
8"	150	275	74	670-085027-321	(Not Available)
	300	720	78	670-085072-321	670-084072-321
	600	1440	130	670-085144-321	670-084144-321
	900	2160		670-085216-321	670-084216-321
	1500	3600		670-085360-321	670-084360-321
10"	150	275	102	670-105027-321	(Not Available)
	300	720	110	670-105072-321	670-104072-321
	600	1440	185	670-105144-321	670-104144-321
	900	2160		670-105216-321	670-104216-321
12"	150	275	151	670-125027-321	(Not Available)
	300	720	154	670-125072-321	670-124072-321
	600	1440	240	670-125144-321	670-124144-321
	900	2160		670-125216-321	670-124216-321

Order numbers are for standard materials.
Contact factory for body, clapper and trim options.



Flow Control Wheatley is a trademark of Dresser, Inc.

Copyright © 2001 Dresser Flow Control, Dresser, Inc.
All rights reserved. Printed in U.S.A. Reproduction in whole or in part is prohibited by law. 2015-4/01-2M

**Wheatley Valve Operations
Dresser Flow Control**

1020 Rankin Road
Houston, Texas 77073
TEL: (281) 443-7000 FAX: (281) 443-4802