

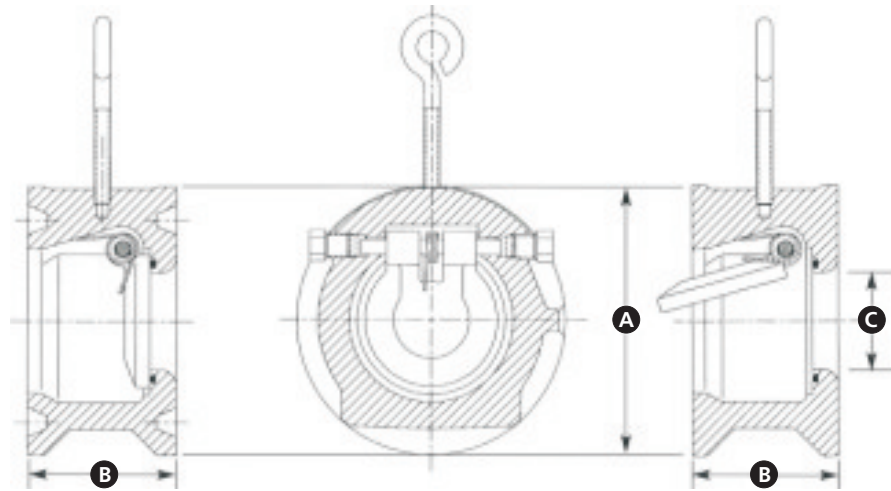
WHEATLEY®
Long Pattern Wafer Check Valve
2 in. through 12 in.



WHEATLEY®

LONG PATTERN WAFER CHECK VALVE 2 in. through 12 in. PRODUCT FEATURES

Wheatley wafer check valves are ideal for close-quarter applications where a full-bodied check won't fit. Designed to fit between mating flanges, these valves are compact, lightweight and cost-efficient.



RTJ WITH STANDARD INTEGRAL SEAT

RFFE WITH STANDARD INTEGRAL SEAT

Working Pressure	Dim. (in.)	Size (in.)						
		2	3	4	6	8	10	12
ASME 150	A	4.125	5.375	6.875	8.750	11.000	13.375	16.125
	B	2.375	2.875	2.875	3.875	5.000	5.750	7.125
	C	1.562	2.093	3.062	4.812	6.500	7.750	9.625
ASME 300	A	4.375	5.875	7.125	9.875	12.125	14.250	16.625
	B	2.375	2.875	2.875	3.875	5.000	5.750	7.125
	C	1.562	2.093	3.062	4.812	6.500	7.750	9.625
ASME 600	A	4.375	5.875	7.625	10.500	12.625	15.750	18.000
	B	2.375	2.875	3.125	5.375	6.500	8.375	9.000
	C	1.562	2.093	3.062	4.812	6.500	7.750	9.625
ASME 900	A	5.625	6.625	8.125	11.375	-	-	-
	B	2.750	3.250	4.000	6.250	-	-	-
	C	1.562	2.093	3.062	4.812	-	-	-
ASME 1500	A	5.625	6.875	8.250	11.125	-	-	-
	B	2.750	3.250	4.000	6.250	-	-	-
	C	1.562	2.093	3.062	4.812	-	-	-

For estimating purposes only. For exact dimensions, consult factory.

PRODUCT FEATURES

- Size 2 in. through 12 in.
- Working pressure ASME 150 through ASME 1500
- Built in accordance with API 6D
- All materials comply with NACE MR0175 (2002)
- Integral seat
- RTJ or raised face flange surface available
- Fixed clapper shaft design transfer wear to inexpensive replaceable parts
- ASTM A216 Grade WCC body. Optional ASTM A351 Grade CF8M (316 Stainless Steel). Consult factory for other options.
- 90 durometer peroxide cured Buna-N seals standard. Optional Viton, Teflon, AFLAS (high temperature), EPDM. Consult factory for other options.
- Dimensions consistent with specification API 594

MATERIALS OF CONSTRUCTION

Item	Standard
Body	ASTM A216 Grade WCC
Clapper	Solid CF8M
Body Seat	Integral same as body material
Seals	90 durometer peroxide cured Buna-N

LONG PATTERN WAFER CHECK VALVE 2 in. through 12 in. ORDERING INFORMATION

CARBON STEEL

Valve Size in.	ASME Class	Working Pressure	Weight lbs.	Order Number	
				Raised Face	RTJ
2	150	290	5	9D-670-025029-121	(Not Available)
	300	750	6	9D-670-025075-121	9D-670-024075-121
	600	1500	6	9D-670-025150-121	9D-670-024150-121
	900	2250	11	9D-670-025225-121	9D-670-024225-121
	1500	3750	11	9D-670-025375-121	9D-670-024375-121
3	150	290	10	9D-670-035029-121	(Not Available)
	300	750	13	9D-670-035075-121	9D-670-034075-121
	600	1500	13	9D-670-035150-121	9D-670-034150-121
	900	2250	19	9D-670-035225-121	9D-670-034225-121
	1500	3750	21	9D-670-035375-121	9D-670-034375-121
4	150	290	15	9D-670-045029-121	(Not Available)
	300	750	18	9D-670-045075-121	9D-670-044075-121
	600	1500	22	9D-670-045150-121	9D-670-044150-121
	900	2250	32	9D-670-045225-121	9D-670-044225-121
	1500	3750	33	9D-670-045375-121	9D-670-044375-121
6	150	290	27	9D-670-065029-121	(Not Available)
	300	750	36	9D-670-065075-121	9D-670-064075-121
	600	1500	50	9D-670-065150-121	9D-670-064150-121
	900	2250	78	9D-670-065225-121	9D-670-064225-121
	1500	3750	77	9D-670-065375-121	9D-670-064375-121
8	150	290	74	9D-670-085029-121	(Not Available)
	300	750	78	9D-670-085075-121	9D-670-084075-121
	600	1500	130	9D-670-085150-121	9D-670-084150-121
	900	2250	-	9D-670-085225-121	9D-670-084225-121
	1500	3750	-	9D-670-085375-121	9D-670-084375-121
10	150	290	102	9D-670-105029-121	(Not Available)
	300	750	110	9D-670-105075-121	9D-670-104075-121
	600	1500	185	9D-670-105150-121	9D-670-104150-121
	900	2250	-	9D-670-105225-121	9D-670-104225-121
12	150	290	151	9D-670-125029-121	(Not Available)
	300	750	154	9D-670-125075-121	9D-670-124075-121
	600	1500	240	9D-670-125150-121	9D-670-124150-121
	900	2250	-	9D-670-125225-121	9D-670-124225-121

316 STAINLESS STEEL

Valve Size in.	ASME Class	Working Pressure	Weight lbs.	Order Number	
				Raised Face	RTJ
2	150	275	5	9D-670-025027-321	(Not Available)
	300	720	6	9D-670-025072-321	9D-670-024072-321
	600	1440	6	9D-670-025144-321	9D-670-024144-321
	900	2160	11	9D-670-025216-321	9D-670-024216-321
	1500	3600	11	9D-670-025360-321	9D-670-024360-321
3	150	275	10	9D-670-035027-321	(Not Available)
	300	720	13	9D-670-035072-321	9D-670-034072-321
	600	1440	13	9D-670-035144-321	9D-670-034144-321
	900	2160	19	9D-670-035216-321	9D-670-034216-321
	1500	3600	21	9D-670-035360-321	9D-670-034360-321
4	150	275	15	9D-670-045027-321	(Not Available)
	300	720	18	9D-670-045072-321	9D-670-044072-321
	600	1440	22	9D-670-045144-321	9D-670-044144-321
	900	2160	32	9D-670-045216-321	9D-670-044216-321
	1500	3600	33	9D-670-045360-321	9D-670-044360-321
6	150	275	27	9D-670-065027-321	(Not Available)
	300	720	36	9D-670-065072-321	9D-670-064072-321
	600	1440	50	9D-670-065144-321	9D-670-064144-321
	900	2160	78	9D-670-065216-321	9D-670-064216-321
	1500	3600	77	9D-670-065360-321	9D-670-064360-321
8	150	275	74	9D-670-085027-321	(Not Available)
	300	720	78	9D-670-085072-321	9D-670-084072-321
	600	1440	130	9D-670-085144-321	9D-670-084144-321
	900	2160	-	9D-670-085216-321	9D-670-084216-321
	1500	3600	-	9D-670-085360-321	670-084360-321
10	150	275	102	9D-670-105027-321	(Not Available)
	300	720	110	9D-670-105072-321	9D-670-104072-321
	600	1440	185	9D-670-105144-321	9D-670-104144-321
	900	2160	-	9D-670-105216-321	9D-670-104216-321
12	150	275	151	9D-670-125027-321	(Not Available)
	300	720	154	9D-670-125072-321	9D-670-124072-321
	600	1440	240	9D-670-125144-321	9D-670-124144-321
	900	2160	-	9D-670-125216-321	9D-670-124216-321

Order numbers are for standard materials.
Contact factory for body, clapper and trim options.

Please contact Cameron, Valves & Measurement for current Terms and Conditions and Trademark information.

**VALVES & MEASUREMENT**

3250 Briarpark Drive, Suite 300
Houston, Texas 77042
USA Toll Free 800 323 9160

For the most current contact and location information go to: www.c-a-m.com/valvesandmeasurement